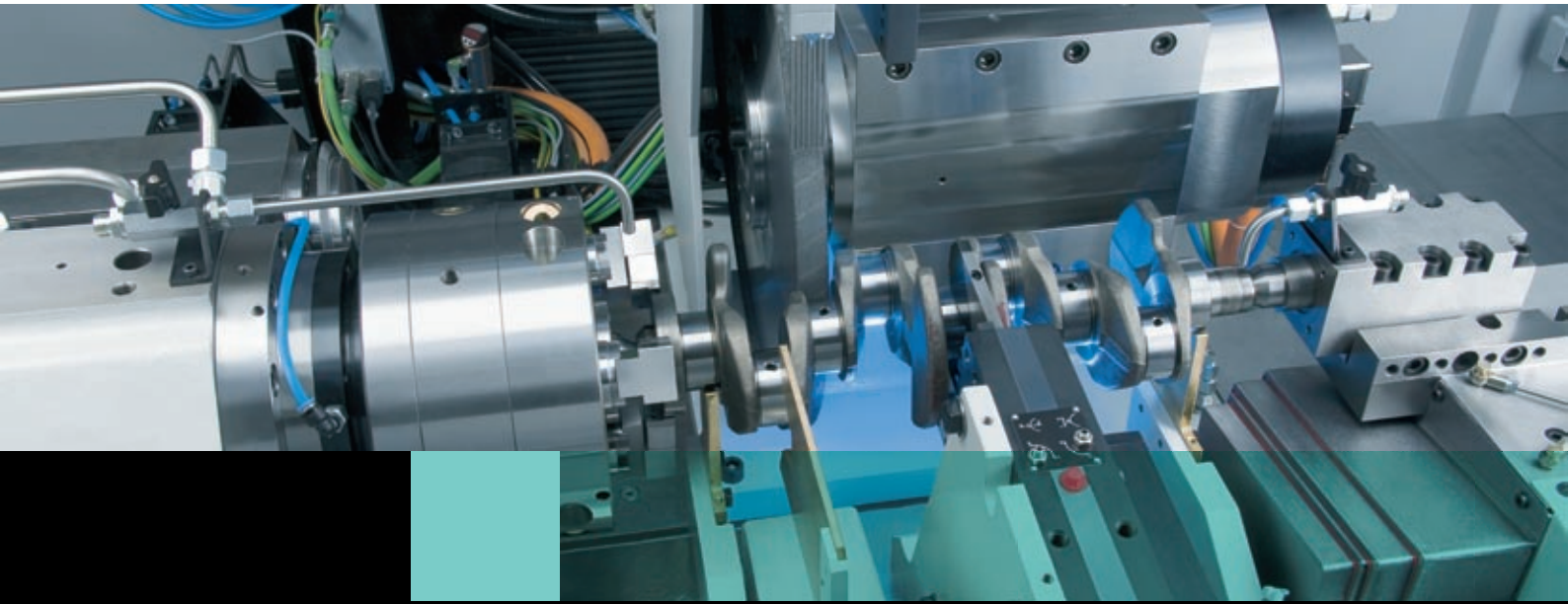


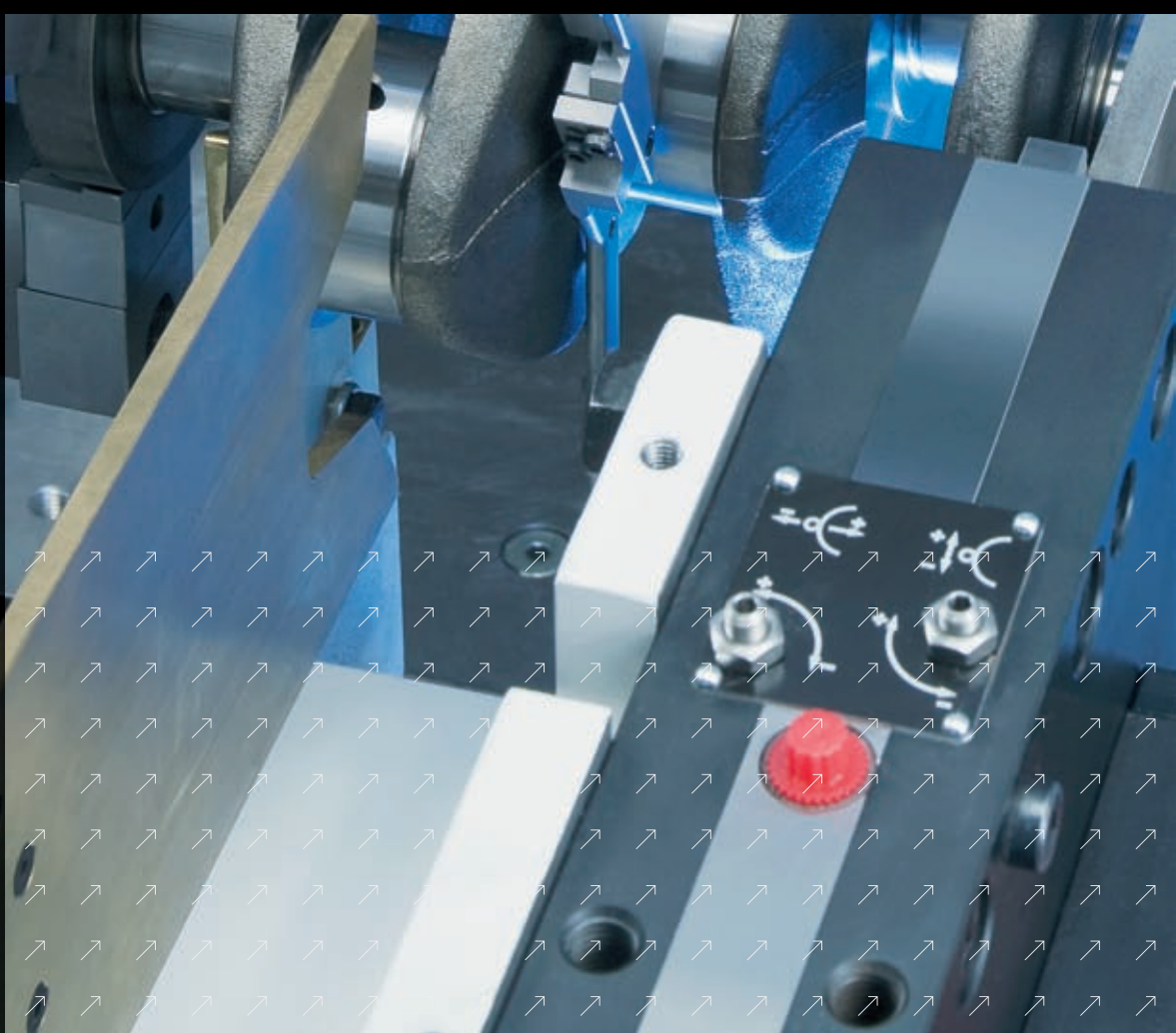
Crankshaft grinder PM 2

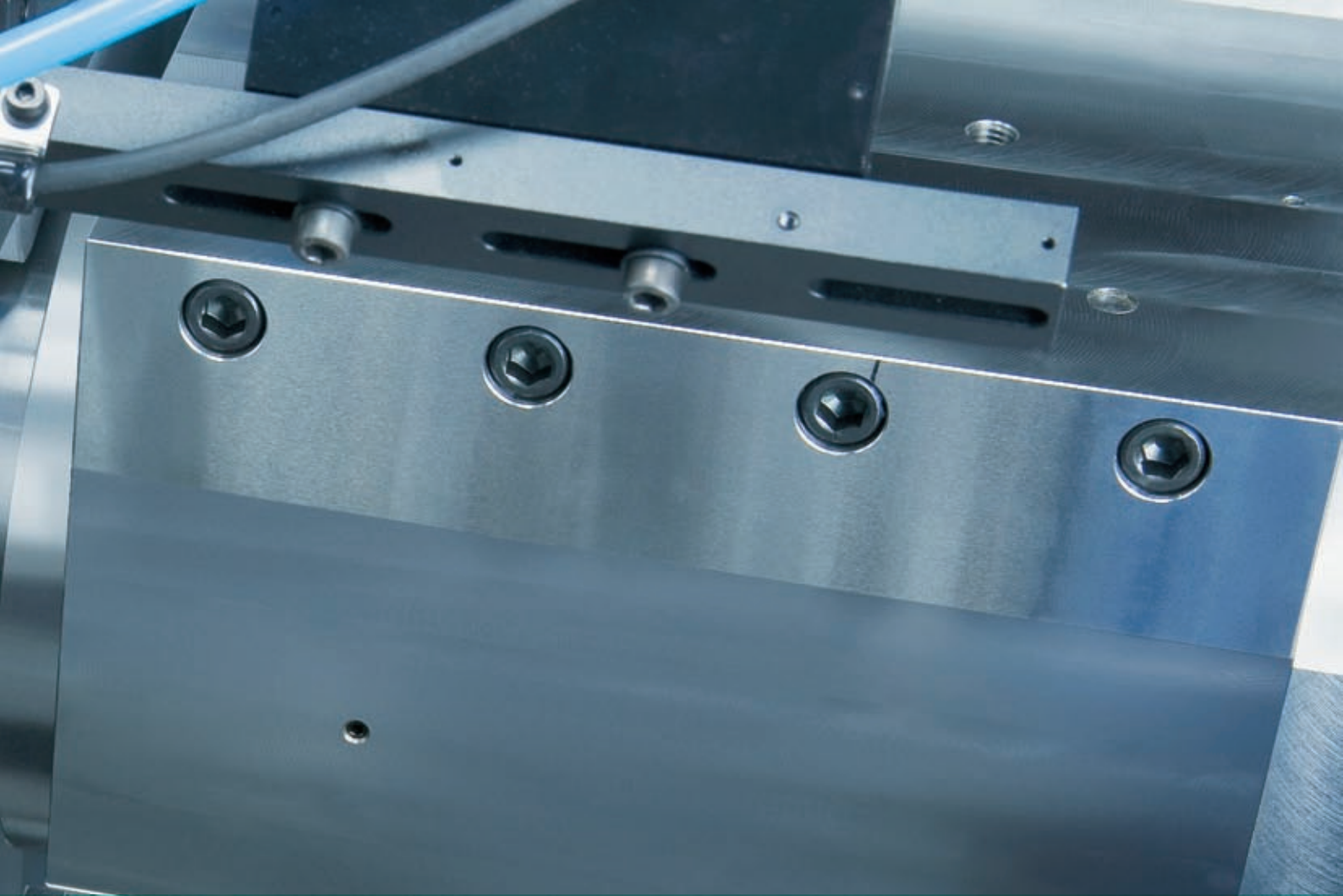


PM 2 – a grinder for the machining of crankshafts up to 500 mm long and 30 kg in weight. The machine combines hi-tech grinding technology with precision, great efficiency and reliability, and ease of operation. The optimal grinder for crankshafts for passenger car and motor cycle engines (2-, 3- and 4-cylinder), and for smaller units.

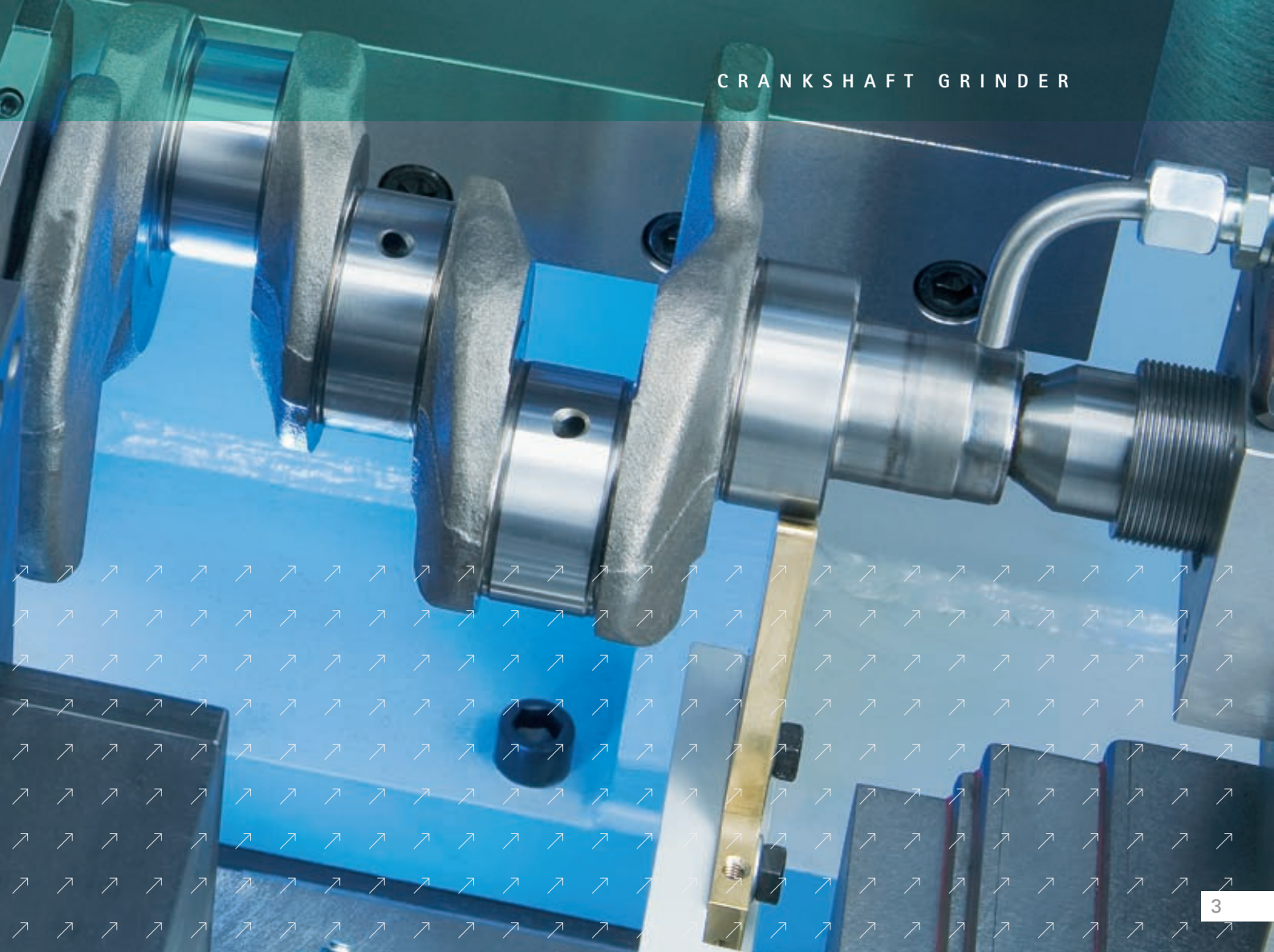


P M 2





CRANKSHAFT GRINDER

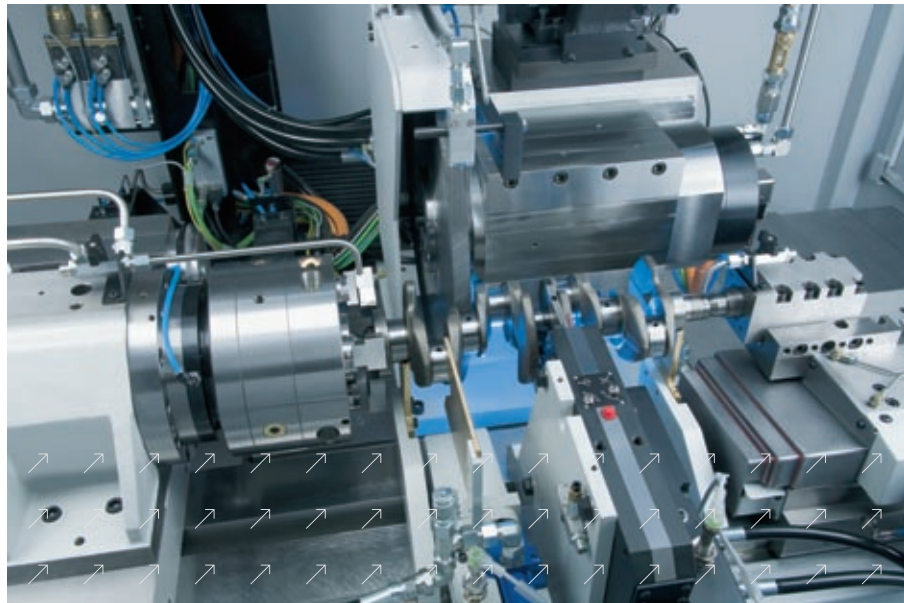


Low-cost component manufacture.

The PM 2 is equipped with a grinding head that features a 30 kW motor spindle, a work head with direct drive, a linear motor for the X-axis, a sturdy tailstock and a back rest. The machining process allows for either oil or emulsion to be used as cutting fluids. With the pin chasing process pin bearings and main bearings can be ground in one set-up.

- In-process gauging of diameters ensures highest precision when concentricity checks are carried out on the machine.
- Linear motor and hydrostatic guideway in X-axis.
- Workpiece direct drive with motor spindle.
- Automatic workpiece clamping with hydraulic chucks.

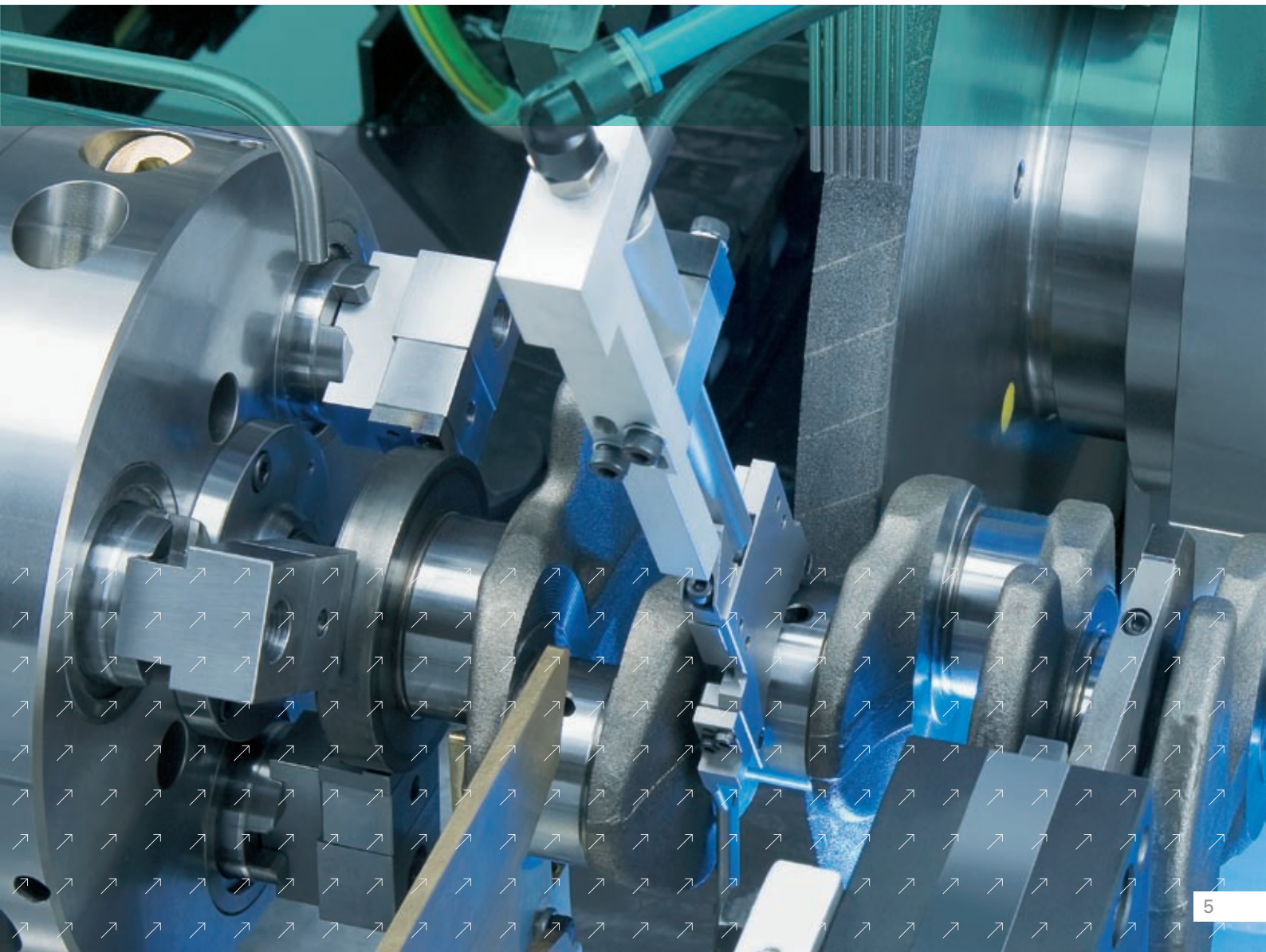
P M 2



- Automatic, self-centring back rest.
- Rapid radial positioning by means of a hydraulically operated prism.
- CBN grinding wheel.
- Optionally available: universal axial or radial alignment of the shaft by means of an electronic probing system.



In-process measuring for highest precision on the workpiece



Technical data.

Capacity PM 2

| | | |
|--|----|------|
| Workpiece length, max. | mm | 500 |
| Workpiece weight, max. | kg | 30 |
| Swing diameter, max.* | mm | 200 |
| Stroke radius, max.* | mm | 110 |
| Grinding centre above bottom edge of machine | mm | 1250 |

Grinding wheels

| | | |
|-------------------------------|-----|-----|
| CBN grinding wheel, max. dia. | mm | 500 |
| Wheel width, max. | mm | 50 |
| Cutting speed, max. | m/s | 125 |

Drive

| | | |
|--------------------------|-----------------------------------|---------|
| X-axis | SIEMENS linear motor | |
| Z-axis | SIEMENS servomotor and ball screw | |
| Feed force X/Z | Nm | 2600 |
| Rapid traverse speed X/Z | m/min | 25 / 20 |

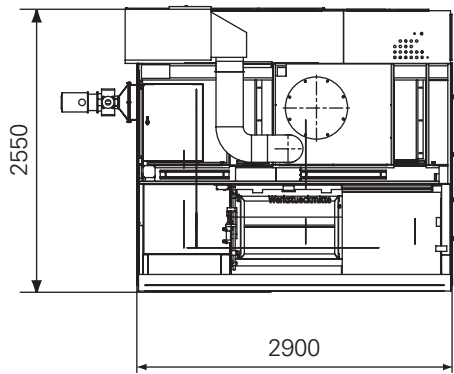
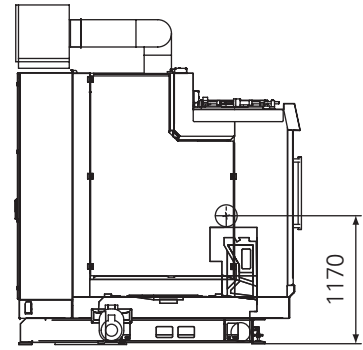
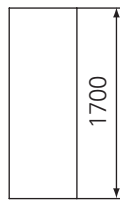
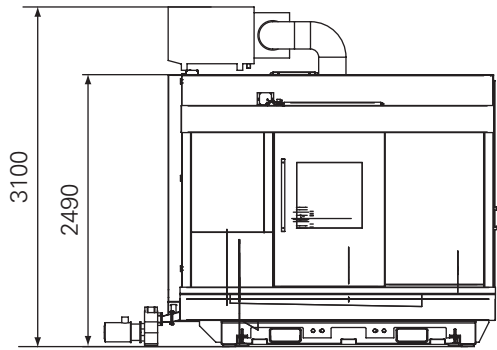
Control system

SIEMENS 840 D

Weights and measurements (excluding auxiliary units and accessories)

| | | |
|--------|----|-------|
| Length | mm | 2900 |
| Width | mm | 2550 |
| Height | mm | 2490 |
| Weight | kg | 12000 |

*necessitates individual checks, taking account of workpiece geometry and aspects of back rest and oscillation



Subject to technical changes

At home in the world.

EMAG
Gruppen-Vertriebs- und Service GmbH

Salach

Austrasse 24
73084 Salach
Germany
Phone: +49 (0)7162 17 0
Fax: +49 (0)7162 17 820
E-mail: info@salach.emag.com

Frankfurt

Orber Strasse 8
60386 Frankfurt/Main
Germany
Phone: +49 (0)69 40802 0
Fax: +49 (0)69 40802 412
E-mail: info@frankfurt.emag.com

Köln

Robert-Perthel-Strasse 79
50739 Köln
Germany
Phone: +49 (0)221 126152 0
Fax: +49 (0)221 126152 19
E-mail: info@koeln.emag.com

Leipzig

Pittlerstrasse 26
04159 Leipzig
Germany
Phone: +49 (0)341 4666 0
Fax: +49 (0)341 4666 114
E-mail: info@leipzig.emag.com

Herford

Arndtstrasse 8
32052 Herford
Germany
Phone: +49 (0)5221 9333 0
Fax: +49 (0)5221 9333 25
E-mail: info@herford.emag.com

München

Zamdorferstrasse 100
81677 München
Germany
Phone: +49 (0)89 99886 250
Fax: +49 (0)89 99886 160
E-mail: info@muenchen.emag.com

Dänemark

Horsvangen 31
7120 Vejle Ø
Denmark
Phone: +45 75 854 854
Fax: +45 75 816 276
E-mail: info@daenemark.emag.com

Schweden

Munkvägen 5
73170 Köping
Sweden
Phone: +46 (0)221 40305
Mobile: +49 (0)70 65 00 997
E-mail: info@sweden.emag.com

Österreich

Dorfstrasse 343
5423 St. Koloman
Austria
Phone: +43 (0)6241 640
Fax: +43 (0)6241 26204
E-mail: info@austria.emag.com

Contact us. Now.

ZETA EMAG SpA

Viale Longarone 41/A
20080 Zibido S.Giacomo (MI)
Italy
Phone: +39 02 905942 1
Fax: +39 02 905942 21
E-mail: info@zeta.emag.com

EMAG (UK) Ltd.

Chestnut House,
Kingswood Business Park
Holyhead Road
Albrighton
Wolverhampton WV7 3AU
Great Britain
Phone: +44 1902 376090
Fax: +44 1902 376091
E-mail: info@uk.emag.com

KP-EMAG

ul. Butlerova 17
117342 Moskau
Russia
Phone: +07 495 3302574
Fax: +07 495 3302574
E-mail: info@kp.emag.com

EMAG L.L.C. USA

38800 Grand River Avenue
Farmington Hills, MI 48335,
USA
Phone: +1 248 442 6584
Fax: +1 248 442 6706
E-mail: info@usa.emag.com

EMAG MEXICO

Colina de la Umbria 10
53140 Boulevares
Naucalpan Edo. de México
Mexico
Phone: +52 55 5 3742665
Fax: +52 55 5 3742664
E-mail: info@mexico.emag.com

EMAG DO BRASIL Ltda.

Rua Ricardo Abed, 114
Pirituba
05171-030 São Paulo
SP, Brazil
Phone: +55(0)11 3906 9238
Fax: +55(0)11 3906 9238
E-mail: info@brasil.emag.com

EMAG Machine Tools (Taicang) Co., Ltd.

Room 2315 B, Far East International Plaza
No. 317 Xianxia Road
200051 Shanghai,
P.R. China
Phone: +86 21 62 35 15 20
Fax: +86 21 62 35 01 18
E-mail: info@china.emag.com

EMAG INDIA Private Limited

#12, 12th Main Street, 17th Cross
Malleswaram
Bangalore - 560 055,
India
Phone: +91 80 2344 7498
Fax: +91 80 2344 7498
E-mail: info@india.emag.com

EMAG KOREA Ltd.

Lotte IT Castle 1st B/D, Rm 806
550-1, Kasan-dong
Kamchun-gu
153-803 Seoul
South Korea
Phone: +82 2 2026 7660
Fax: +82 2 2026 7670
E-mail: info@korea.emag.com

TAKAMAZ EMAG Ltd.

1-8 Asahigaoka Hakusan-City
Ishikawa Japan, 924-0004
Japan
Phone: +81 76 274 1409
Fax: +81 76 274 8530
E-mail: info@takamaz.emag.com

EMAG SOUTH AFRICA

P.O. Box 2900
Kempton Park 1620
Rep. South Afrika
Phone: +27 11 3935070
Fax: +27 11 3935064
E-mail: info@southafrica.emag.com

NODIER EMAG INDUSTRIE S.A.

Service commercial:
38, rue André Lebourblanc - B.P. 26
78592 Noisy le Roi
France
Phone: +33 1 30 80 47 70
Fax: +33 1 30 80 47 69
E-mail: info@nodier.emag.com

EMAG MAQUINAS HERRAMIENTA S.L.

Pasaje Arrahona, No.18
Centro Industrial Santigua
08210 Barberà del Vallès (Barcelona)
Spain
Phone: +34 93 719 5080
Fax: +34 93 729 7107
E-mail: info@emh.emag.com

Subject to technical changes.

205-1/05.2007 · Printed in Germany · © Copyright EMAG ·

www.emag.com

